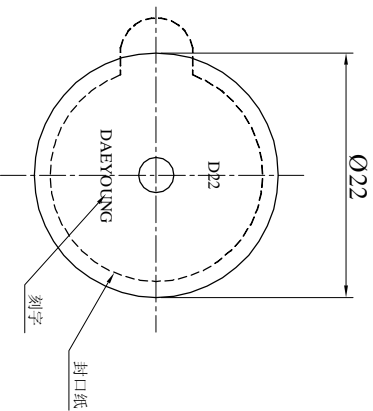
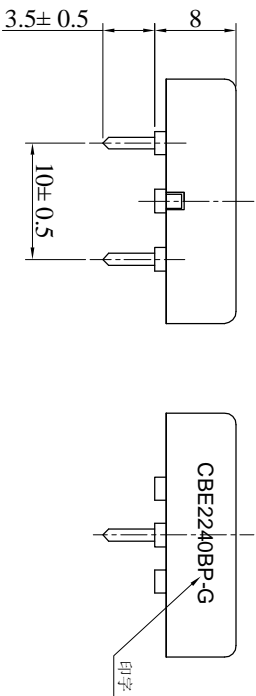


SPECIFICATION

- 1. Rated Voltage 9Vp-p Square Wave
- 2. Operating Voltage 3~30Vp-p Square Wave
- 3. Max. Rated Current 3mA/9Vp-p Square Wave/4KHz
- 4. Resonant Frequency 4.0±0.5KHz
- 5. Min. Sound Pressure Level..... 90dB/9Vp-p Square Wave/10cm
- 6. Capacitance at 100Hz..... 15000pF±30%
- 7. Shell Material/Color PC/Black
- 8. Operating Temperature -20~+80℃
- 9. Store Temperature -30~+100℃
- 10. Weight 2.5g

备注：蜂鸣片涂绿。



KEPO NINGBO KEPO ELECTRONIC CO.,LTD http://www.chinacoustic.com	
Piezo Buzzer QUARTZ-1 LTD CBE2240BP-G-1857	
No. _____	DATE _____
DESCRIPTION _____	DATE _____
DRAWN _____	DATE _____
CHECKED _____	DATE _____
APPROVED _____	DATE _____
UNIT _____	DRAWING NO. _____
SCALE _____	SHEET _____
05.05.12	OEM1857
mm	VER. 1.0

1	2	3	4	5	6	7	8
---	---	---	---	---	---	---	---

A	B	C	D	E	F
---	---	---	---	---	---